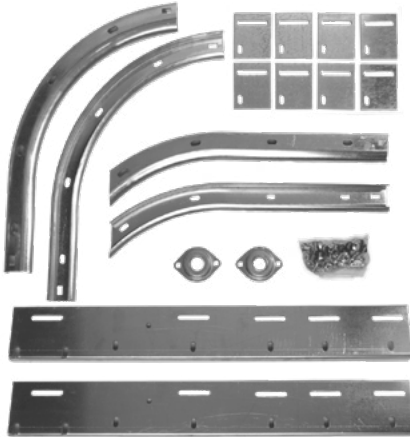




FRONT MOUNT LOW HEADROOM KITS

PART NUMBER	DESCRIPTION	WEIGHT
-------------	-------------	--------



7-4011

2" Low Headroom Kit Front Mount

25.5 lb / ea

KIT CONTAINS

PART NUMBER	QUANTITY	DESCRIPTION
431-0029	1	Upper 2" Track Curve - LH
431-0030	1	Upper 2" Track Curve - RH
431-0031	1	Lower 2" Track Curve - LH
431-0032	1	Lower 2" Track Curve - RH
436-0039	1	2" LHR Horz Track Support Plate LH
436-0040	1	2" LHR Horz Track Support Plate RH
436-0041	8	2" Splice Plate
4-0044	1	214 Track Fastener Package

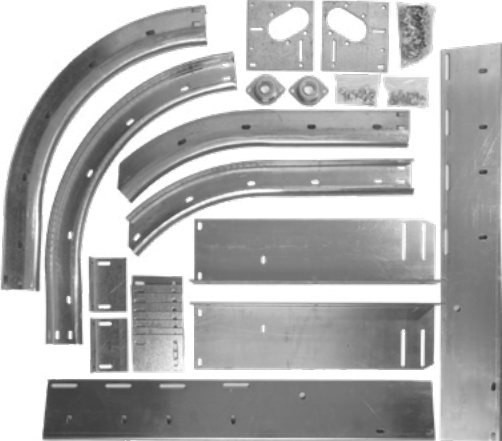


Richards-Wilcox

Engineered For Life

LOW HEADROOM KITS

PART NUMBER	DESCRIPTION	WEIGHT
7-4013	3" Low Headroom Kit Front Mount	58 lb / ea

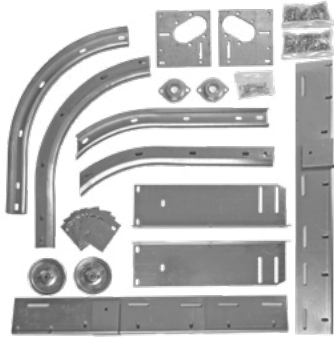


KIT CONTAINS		
PART NUMBER	QUANTITY	DESCRIPTION
425-1018	1	3" LHR Head Plate LH
425-1019	1	3" LHR Head Plate RH
425-1022	2	2" + 3" LHR Drum Plate
431-0033	1	Upper 3" Track Curve - LH
431-0034	1	Upper 3" Track Curve - RH
431-0035	1	Lower 3" Track Curve - LH
431-0036	1	Lower 3" Track Curve - RH
436-0042	8	3 + 3-1/4" Splice Plate
436-0067	2	3" LHR Drum Plate Support Angle
436-0068	1	3" LHR Horz Track Support Plate LH
436-0069	1	3" LHR Horz Track Support Plate RH
411-226	2	1" Pressure Fit Bearing w/ Flangette
4-0023	2	7-0304 NN Bolt Package
4-0044	2	214 Track Fastener Package



REAR MOUNT LOW HEADROOM KITS

PART NUMBER	DESCRIPTION	WEIGHT
7-4010	2" Low Headroom Kit Rear Mount	33 lb / ea



KIT CONTAINS		
PART NUMBER	QUANTITY	DESCRIPTION
425-1022	2	2" + 3" LHR Drum Plate
425-0137	1	2" LHR Head Plate RH
425-0138	1	2" LHR Head Plate LH
431-0029	1	Upper 2" Track Curve - LH
431-0030	1	Upper 2" Track Curve - RH
431-0031	1	Lower 2" Track Curve - LH
431-0032	1	Lower 2" Track Curve - RH
436-0041	8	2" Splice Plate
7-2251	1	2" LHR Horz Track Support Frame LH
7-2252	1	2" LHR Horz Track Support Frame RH
411-226	2	1" Pressure Fit Bearing w/ Flangette
950-076	2	#72 - 4" Pulley
212-982	2	3/8"-16 x 2" Hex Head Bolt
214-201	2	3/8"-16 Hex Nut - Plated
234-301	2	3/8" Reg Lock Washer - Plated
4-0041	2	208 Track Fastener Package

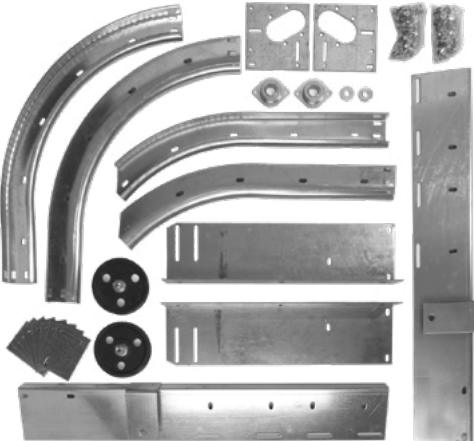


Richards-Wilcox

Engineered For Life

LOW HEADROOM KITS

PART NUMBER	DESCRIPTION	WEIGHT
7-4012	3" Low Headroom Kit Rear Mount	64 lb / ea



KIT CONTAINS		
PART NUMBER	QUANTITY	DESCRIPTION
425-1022	2	2" + 3" LHR Drum Plate
425-1018	1	3" LHR Head Plate LH
425-1019	1	3" LHR Head Plate RH
431-0033	1	Upper 3" Track Curve - LH
431-0034	1	Upper 3" Track Curve - RH
431-0035	1	Lower 3" Track Curve - LH
431-0036	1	Lower 3" Track Curve - RH
436-0042	8	3 + 3-1/4" Splice Plate
7-2257	1	3" LHR Horz Track Support Frame LH
7-2258	1	3" LHR Horz Track Support Frame RH
411-226	2	1" Pressure Fit Bearing w/ Flangette
950-077	2	5" Stud Sheave
234-121	2	1/2" Plate Washer
4-0044	2	214 Track Fastener Package